

PSYCHO – PARAPSYCHOLOGICAL CORRELATIONS

by Eugen Vasilescu, Ph.D. & Elena Vasilescu

ABSTRACT

Personal experiments, already published, suggested that many parapsychological phenomena seem to have a similar mechanism (intimate specific biophysical and biochemical cerebral processes), in which the radio – wave of 46.20 meters have a very important role.

In the present work, we analyzed the organic psychological and parapsychological interrelations, in which the radio – wave of 46.20 meters, amplified via an original radio – amplifier, appears to be a kind of “common denominator” for these phenomena.

Finally, we sketched a theory about the psycho – parapsychological unity, which points out the extraordinary complexity of the human psyche. We postulate a “abyssal psychic levels – psychology – parapsychology continuum.”

The text is illustrated by a schematic diagram of the device used in the previous studies and a medical document referring to our experiments.

Keywords: telepathy, paranormal therapy, mechanism of psi phenomena, bioradio-waves, psycho-parapsychological correlations.

INTRODUCTION

It is generally accepted that psychology is the science which explores the psychic functions. Considering parapsychology (psi) the situation is not very simple. The rarity of paranormal phenomena, the impossibility of their reproduction and more especially the lack of any satisfactory theory of their mechanism (intimate specific biophysical and biochemical cerebral processes) make many scientists doubt the authenticity of these manifestations.

Nevertheless, various hypotheses have attempted to explain the nature of psi phenomena. We were attracted by the electromagnetic one. This has been supported by such authors as Cazzamalli or Sinclair but in a descriptive manner without precision.^{1,3}

Personal experiments attested the authenticity of paranormal abilities (at least of some of them) and even their “omnipresence”. Moreover, psi phenomena exist even for ordinary people, but with subliminal intensity, while to the gifted subjects such properties are vigorously manifested and easily detectable. We discovered that the radio – wave of wavelength 46.20 meters (the frequency of about 6.5 MHz) has a major role in the mechanism proposed in our previous publications of some psycho – parapsychological cases. By the artificial amplification of this wavelength, via an original radio – amplifier was possible to transform a common individual, deprived of paranormal abilities, into a paranormal one.⁴

We propose with this paper that closer correlations can be seen between parapsychology (psi) phenomena and psychology, including its “abyssal levels” (sub-consciousness, unconsciousness) than have been previously appreciated.

METHOD

In the experiments previously published, an apparatus was used for amplifying psi signals.⁶ The device (Patulea’s prototype), is a radio – amplifier, based on

an original design of the first author, and then technically constructed at the Institute for Electronic Research of Bucharest, by the electronic engineer G. Patulea (Figure1). This is a high – frequency, high – gain, low – noise, narrow – band, solid-state amplifier. The tuning wavelength could be varied between 45 and 48 meters and the voltage gain between zero and 300 times. Amplifier gain is a function of the input intensity, which is not known in our experiments. Power was supplied via a mains outlet by means of a transformer and a rectifier giving an output of 12 V DC. The device was connected by coaxial cable to two ordinary copper antennae, 70 cm in length and 3 mm in diameter. One antenna was interposed between the input of the amplifier and the agent (healer), with the other antenna between the output of the amplifier and the percipient (patient). Each antenna was supported by the right hand of the subject in question and, touched the subject’s forehead at its extremity.

The subjects were located in different rooms separated by a distance of approximately 10 meters. The apparatus was placed midway between the subjects, outside their view, and was silently handled by a blind judge (neutral person).

We think that our amplifier could be replaced by another one, with better technical performances and, of course, tuned to amplify faithfully on 46.20 meters.

RESULTS & DISCUSSION

Our previous papers have described experiments performed especially on telepathy and on original paranormal therapy.^{4,6} The exposition of experimental cases was at that time rather descriptive, while this time we analyze the organic psycho – parapsychological interrelations, with implications regarding our representation of human psychic complexity. We propose a constructive synthesis of these prior published cases providing a new qualitative result, i.e. our theory of the psycho – parapsychical unity. This theory is the essence of the present paper.

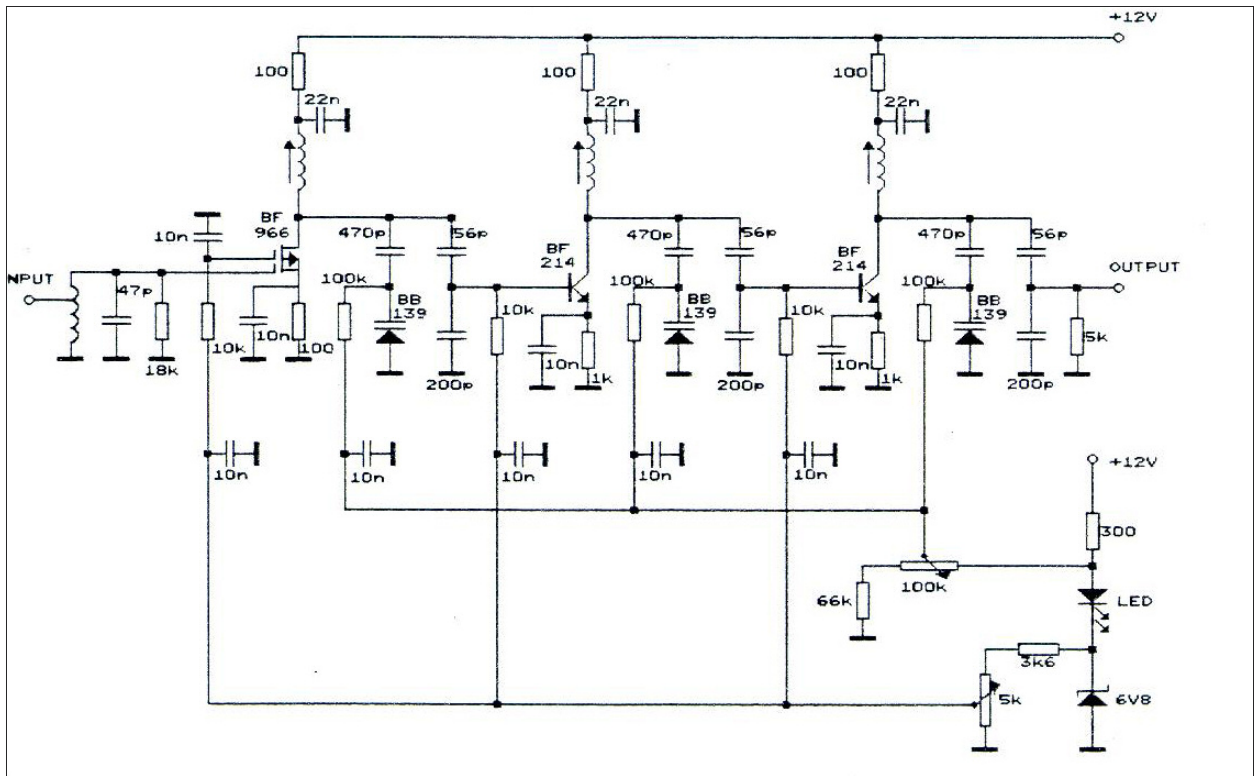


Figure 1. Schematic diagram of Patulea's prototype

We first briefly review the previously published results, which are the support for our theory.

A) TELEPATHY

The telepathy tests were inspired from the methodology described by Rhine and Pratt, with minor modifications.² Briefly, each run was performed using 50 trials, using a pack with five Zener cards (square, star, circle, cross and wavy lines). The agent (the emitter of messages) removed a card at random (the target), looked at the figure and tried, with concentrated and affective effort, to get the percipient (the perceiver of messages) to guess the target symbol. Each test (essay) was the total of all runs to have in view a certain purpose, and was realized by the author of paper (as agent) and the coauthor (as percipient).

We performed many tests (see our paper on telepathy), in order to establish the optimal wavelength for telepathic transmission ("telepathic wave").⁴ For example, the final essay (six runs,

respectively 300 trials) was carried out using "telepathic wave" of 46.20 meters, previously discovered, at the amplification gain X 220. The device was either in "on" or in "off" position assigned by the blind judge. The results were statistically analyzed using the Chi - Square test with a confidence rating of at least $p=0.05$. The mean score for the "on" condition was 88 correct results (highly significant statistically), while that for the "off" condition (the control) was 22 (not significantly above the 20 chance baseline).

We propose that in our telepathy cases, that a pure psychological phenomenon takes place in the agent's brain, i.e. the imagination (representation) of Zener cards images (the thought, generally speaking). After the amplification of the radio-wave of 46.20 meters, the emitting phenomenon reaches the percipient's brain, who rethinks (reprocesses) the signal, as if it was their own thought. However, with the percipient, a paranormal manifestation, the telepathy takes place.

Concerning the psychical level, both phenomena (the agent's thought and the percipient's rethinking) developed into the consciousness of the two mentioned subjects: they had knowledge of what they think. Consequently, the consciousness was the common psychic level in the mechanism of the two mentioned phenomena, and we propose that this could be persuasive proof for the idea of the psycho – parapsychical unity.

B) PARANORMAL THERAPY

We performed further experiments in order to see if the noted “telepathic wave” (46.20 meters) also has any therapeutical efficiency.⁶

We investigated 87 subjects and the results were predominantly positive (68 cases) and negative in the remaining ones. The notion “negative” signified not some “adverse type effects” (otherwise insignificant in our experiments), but the nonexistence of any effects. During the healing experiments the amplifier was always “on” and tuned to 46.20 meters and the amplification X 220 times.

In order to simplify the exposition, some technical details are not presented (see our paper on paranormal therapy).⁶

The healer (agent) attempted to emit telepathically beneficial messages, in a very intense way for all symptoms and the cause of the patient (percipient) diseases to disappear or at least to diminish. An experimental daily session (transmission) lasted for about 30 minutes.

In our findings, a correct statistical analysis of data was difficult to apply, because of the immense informational complexity, important qualitative differences and especially because of many unknown elements. Nevertheless, we think that in the diseases investigated by us, the relative inefficiency of previously applied allopathic treatments could be appreciated as “controls” in relation to our radiotherapeutical method which usually resulted in positive effects.

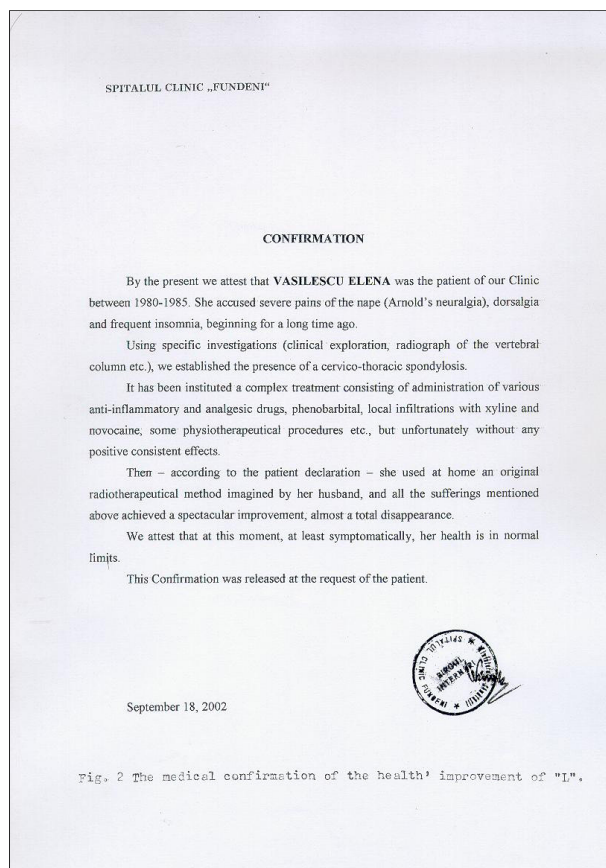
In the following, we expose two evocative cases:

1. The patient “L” – the coauthor of paper – suffering with spondylosis (some degenerative processes of vertebral column) was treated (30 sessions) by the healer “B” – the first signatory of paper. This case is briefly presented in a medical document (Figure 2). Today, after 15 years, the patient is in a very good healthy condition.

The two subjects (“B” and “L”) were conscious about the transmitted, respectively received messages, as in the telepathy cases, mentioned above.

Consequently, the psychological message of the healer, as well as the paranormal reaction of the patient developed into the consciousness level of their psyche.

Figure 2. The medical confirmation of the health improvement of “L”.



The interpretation of this therapeutic experiment is similar the telepathy case previously presented.

2. The patient “V” (sister of “L”) was affected by coxarthrosis (articulation’s degeneration and loin pain). After 20 sessions of our treatment, practiced by the healer “B”, “V” achieved a middling amelioration of her state.

This case is however interesting from another viewpoint: although the transmissions of “B” were focused intentionally on the coxarthrosis of “V”, more effective beneficial effects improved another dysfunction of this patient. “V” had suffered from her youth with a severe form of psoriasis with pustules covering her body almost in totality. She tried all known classical treatments, such as analgesic and anti-inflammatory medications, many corticoid substances, vitamin therapy, helio – marine cures in the morning, even skin transplantations, but without consistent positive effects. The healer “B”, although having knowledge about this disease, he (and also the patient) completely forgot its existence, and during the transmissions (aiming in fact at the coxarthrosis), no beneficial messages in relation to the psoriasis were transmitted. Nevertheless, after the 20 treatment sessions, the skin psoriasis lesions completely disappeared. This healing has persisted until now, after 14 years, without any other treatment.

Concerning the psychical location, because both subjects (“B” and “V”) were not conscious of the emitted and the received beneficial signals regarding the psoriasis, we can logically propose that their abyssal psychic levels (subconsciousness, unconsciousness) were mobilized, with the curative results previously noted.

Generally, referring to our paranormal therapy, in these cases studied by us, and also others uninvestigated but possible, we propose that the brain of the patient “activated” by the messages received from the healer, sends to the affected organs, very efficient impulses producing their healing (by presently unknown modalities).

In addition, we note that the wavelength of 46.20 meters is also involved in the cerebral mechanism of precognition, but this is a question of great complexity, and some of its aspects have been made the object of a special analysis.⁵

CONCLUSION

Our experiments suggested that the radio – wave of 46.20 meters (circa 6.5 MHz frequency) plays an interesting, and maybe surprising role in the mechanism (intimate specific biophysical and biochemical cerebral reactions) of psycho – paranormal phenomena (at least in the cases investigated by us).

The respective wave seems to be a kind of “common denominator” for many psychic phenomena.

Nevertheless, it's possible that the real substratum of these events to be a non identified form of energy, associated with this radio-wave (see particularly our paper on precognition).⁵ This possibility is also supported by a recent scientific announcement (September 22, 2011) by the physicists of CERN laboratory at Geneva. They observed that the elementary particles named "neutrinos" are able to exceed the speed of light (300000 km/s in vacuum), which would correspond to an inversion of the sense of time's flux. This epochal discovery seems to violate the relativity theory (Einstein) which agrees that the time flows invariably from the past to the future.

A clarification is, however, necessary: every psychologic or paranormal event exhibits its individuality and the presence of the mentioned wave could be nevertheless more or less important.

Briefly, our work underlines by an experimental manner, summarized in this paper, and more amply exposed in our prior publications, the existence of the organic correlations between psychology and parapsychology and suggests the immense complexity of the human psychic, previously unpredictable.⁴⁻⁶

The postulate of an “abyssal psychic levels – psychology – parapsychology continuum” seems to be plausible.

CORRESPONDENCE

Dr. Eugen Vasilescu, e-mail: v_ristoiu@yahoo.com
Department of Physiology, Faculty of Biology,
Splaiul Independentei 91 – 95,
University of Bucharest, Bucharest, Romania

ACKNOWLEDGEMENTS

The authors would like to express their gratitude to the Editor Dr. Berney Williams, the members of the Editorial Staff of *Subtle Energies & Energy Medicine*, and also to the anonymous reviewers for their invaluable support in preparing this paper. We owe our special thanks to my colleagues Prof. Dr. Violeta Ristoiu and Prof. Dr. Luiza Flonta for their useful comments and laborious technical help in achieving the present work.

REFERENCES & NOTES

1. F. Cazzamalli, Phenomenes telepsychiques et radiations cerebrales. *Revue Metapsychique*, 4, 2 (1925), pp. 1-7.
2. J. B. Rhine & J. G. Pratt, Parapsychology. Frontier Science of the Mind 3rd ed. Springfield, Illinois: Thomas C.C., (1967).
3. U. Sinclair, Mental Radio (Boni A.& C., New Yoork, 1930)
4. E. Vasilescu & E. Vasilescu, The Mechanism of Telepathy, *Journal of the Society for Psychical Research*, 61,845 (1996), pp. 211-220.
5. E. Vasilescu & E. Vasilescu, Experimental Study on Precognition, *Journal of Scientific Exploration*, 15,3 (2001), pp. 369-377.
6. E. Vasilescu & E. Vasilescu, An original Paranormal Therapy, *Subtle Energies & Energy Medicine* 14, 2 (2003), pp. 135-149.

∞ ∞ ∞